



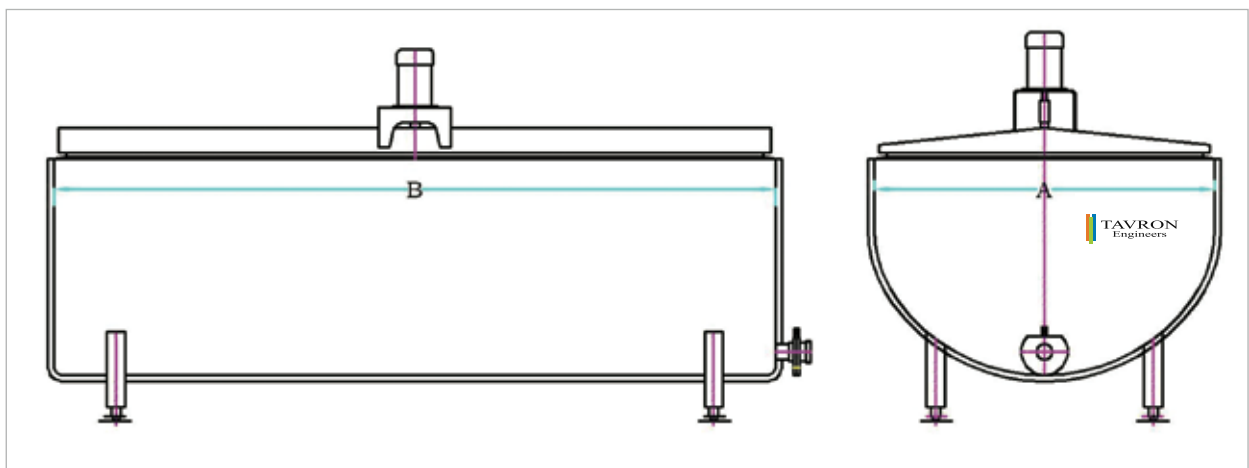
## DIRECT EXPANSION MILK COOLER





- The Tank with Rotary Spray Ball Cleaning
- Inner Shell with SS 304 / SS 316
- Well Designed Laser Welded Pillow Plate
- Optimum Heat Transfer with required velocity
- Digital Temperature Controller
- Confirm to ISO 5708 Standard
- Gear Box of internationally known brand
- Cap 1000 L / 2000 L
- The Tank has been designed with the Adjustable Ball feet

Capacity	Dim-A	Dim-B	No of legs
1000 L	1100	1800	4
2000 L	1400	2100	4



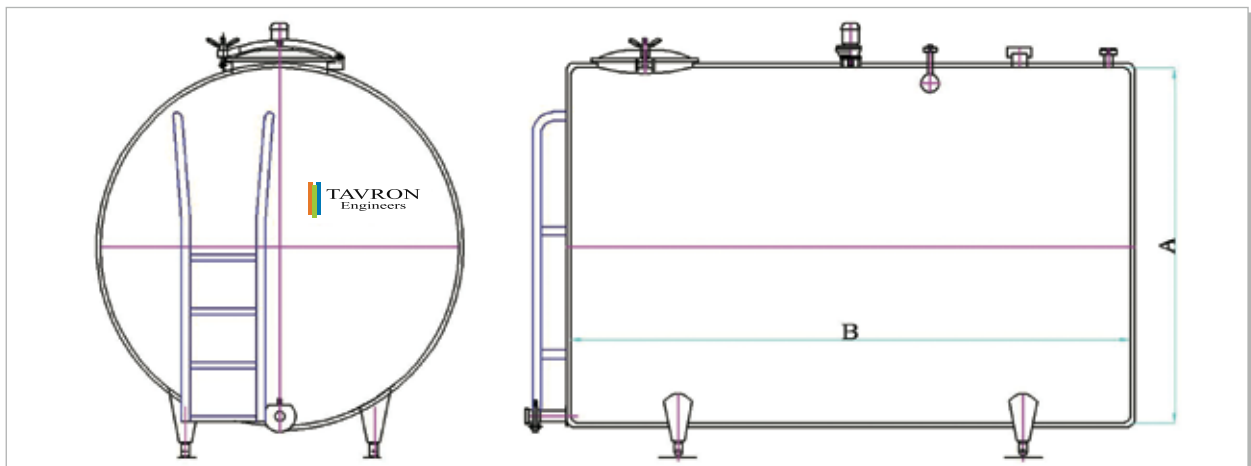


- The Tank with Rotary Spray Ball Cleaning
- The Tank has been designed with the Adjustable Ball feet
- Inner Shell with SS 304 / SS 316
- Well Designed Laser Welded Pillow Plate
- Optimum Heat Transfer with required velocity
- Digital Temperature Controller
- Optional with the Electronic Level Indicator with 4-20 ma output
- Conform to ISO 5708 Standard
- Gear Box of internationally known brand
- Cap 3000 L / 5000 L / 10000 L



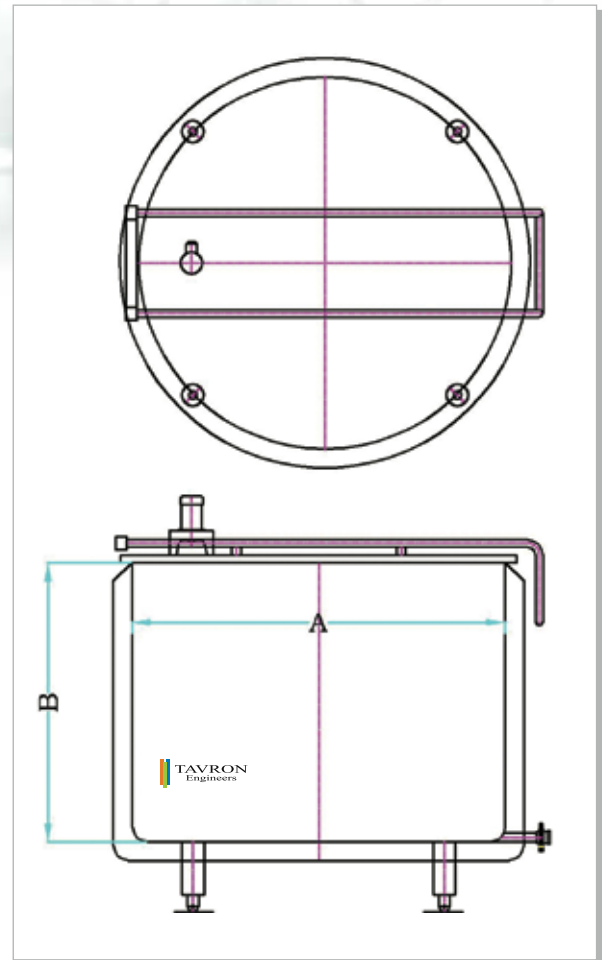
**CLOSED TANK**

Capacity	Dim-A	Dim-B	No of Legs
3000 L	1450	2000	4
5000 L	1600	2600	4
10000 L	1800	4000	6





- ❖ The Tank has been designed with the Adjustable Ball feet
- ❖ Inner Shell with SS 304 / SS 316
- ❖ Digital Temperature Controller
- ❖ Confirm to ISO 5708 Standard
- ❖ Cap 300 L / 500 L



Capacity	Dim-A	Dim-B	No of Legs
300 L	820	625	4
500 L	1000	750	4

\*Dimensions & Designs are subject to change



AF1, Aishwaryam, 25A, Redhills Road, Kolathur, Chennai - 600 099. Ph : +91 44 2556 7211, 4286 6905  
 Fax : +91 44 2556 7211, Mobile : +91 94440 15442, E-mail : samdev@vsnl.com, Website : www.tavron.net

Factory : 38-42, Arulmurugan Nagar, Vichoor Post, Near Infant Jesus Church, Manali New Town, Chennai - 600 103. Ph : +91 44 3291 6230